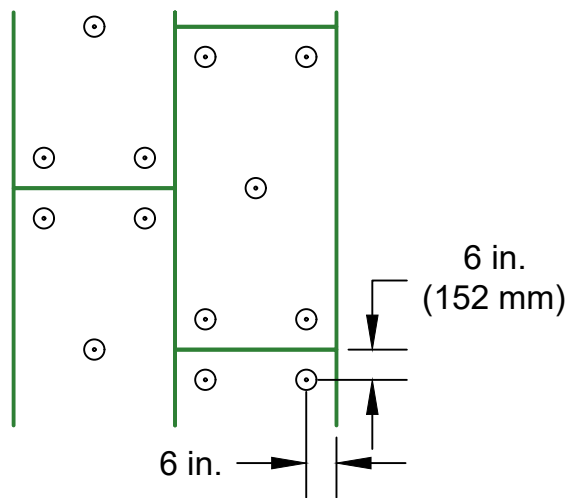
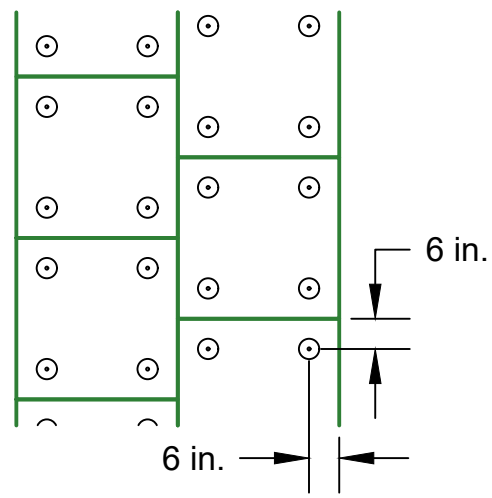


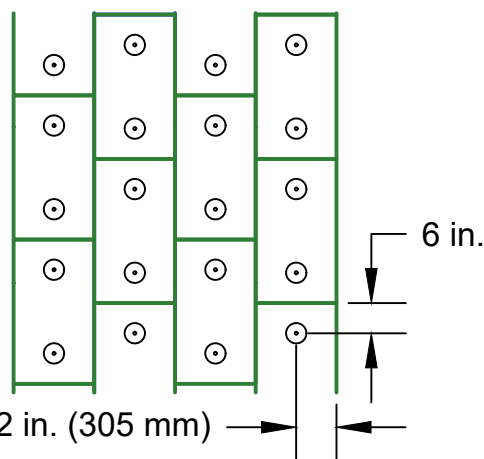
4 x 8 ft (1.2 x 2.4 m)
Approved Insulation and ISO HD



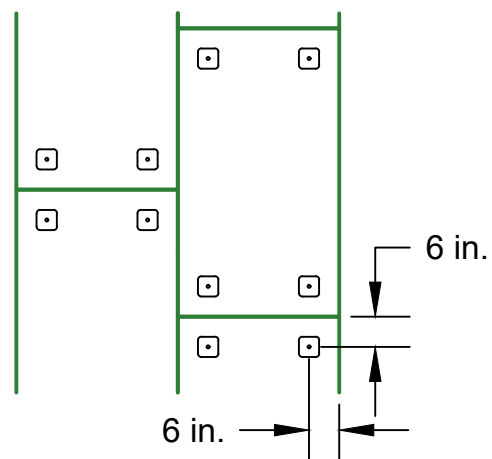
4 x 4 ft (1.2 x 1.2 m)
Approved Insulation and ISO HD



2 x 4 ft (0.6 x 1.2 m)
Approved Insulation and ISO HD



4 x 8 ft (1.2 x 2.4 m)
Approved Cover Board



Note 1: Stagger all joints between boards a minimum of 6 in. (152 mm) ensuring seams do not align with subsequent layers. Multiple layers are recommended to eliminate thermal bridging.

Note 2: Adjoin panel edges together. Neatly fit to the roof deck and around penetrations with no gaps greater than 1/4 in. (6 mm).

Note 3: When multiple layers of rigid board insulations are used, with or without a cover board, it is acceptable to loosely lay the underlying boards and mechanically fasten through the top layer and all subsequent layers at once.

Note 4: Fasten with approved plates and fasteners. Metal plates recommended over cover boards.

Note 5: **These fastening patterns are to be used with mechanically fastened systems only.**

REVISED: N/A	TPO GENERAL DETAIL FOR MECHANICALLY FASTENED SYSTEMS
PREVIOUS: 02/10/2025	INSULATION AND RECOVER FASTENING
SCALE: NONE	NEW CONSTRUCTION OR RE-ROOF