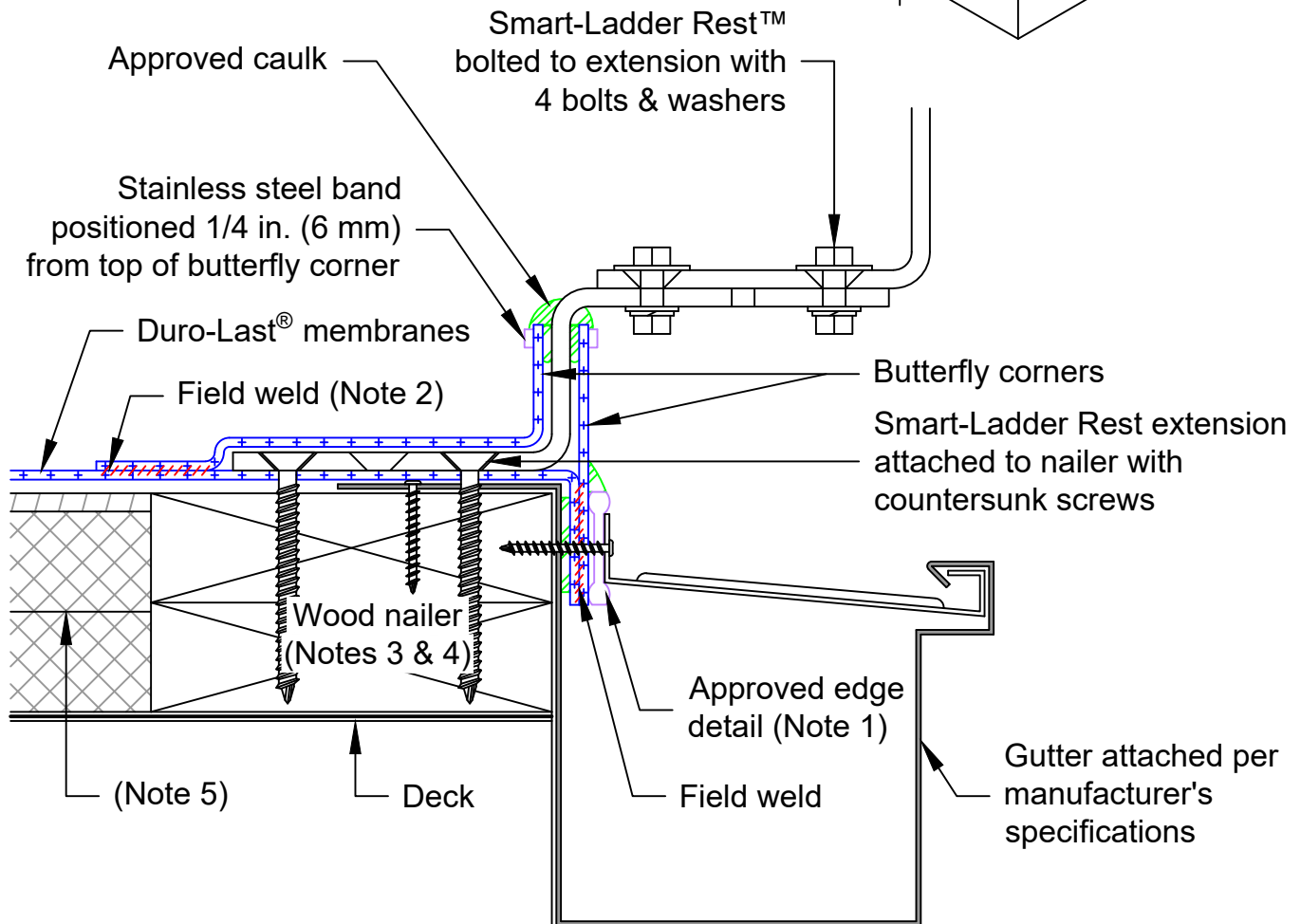
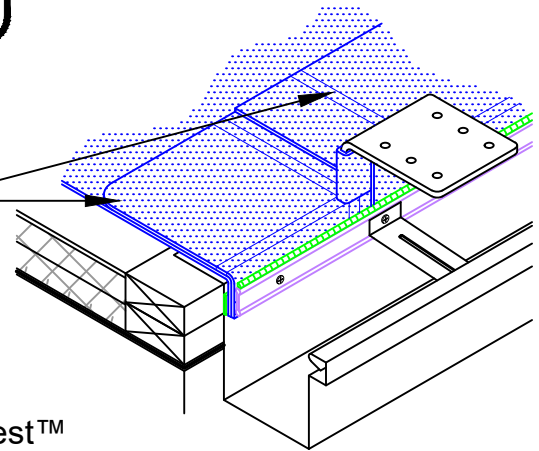


Attach butterfly corners to either side of extension, trim as necessary (band, sealant, and support not shown for clarity)



Note 1: Appropriate termination must be followed.

Note 2: All field welds must be a minimum of 1-1/2 in. (40 mm) wide.

Note 3: Wood blocking must be installed below support if insulation is used.

Note 4: Refer to General Requirements for wood nailer requirements.

Note 5: Refer to specifications for vapor barrier, insulation, and cover board requirements.

REVISED: 05/12/2026	ROOF PENETRATION DETAIL FOR MECHANICALLY FASTENED SYSTEMS
PREVIOUS: 07/05/2023	SMART-LADDER REST™ EXTENSION
SCALE: NONE	NEW CONSTRUCTION OR RE-ROOF